

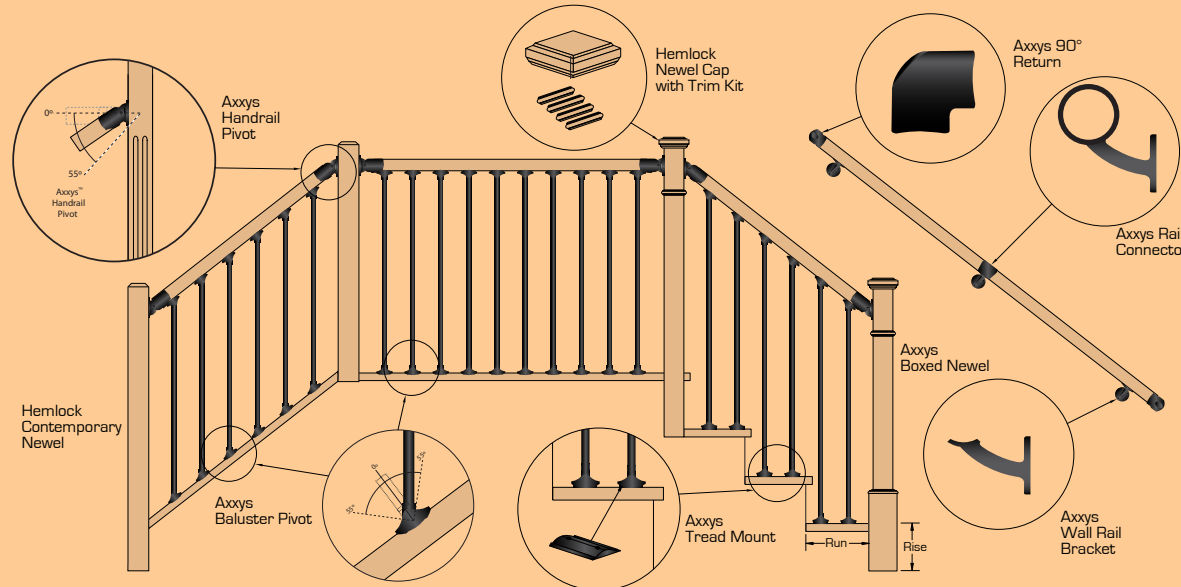


Please visit our website at www.bwcreativewood.com for even more information including how to videos, test reports, photo galleries and more.

Interior StairSimple™ Axxys™ Do-it-yourself System



The Axxys™ Railing Kit is revolutionizing the interior stair installation game by simplifying the entire process. Pivoting baluster and rail connectors eliminate complex stair angle calculations and cuts. Pre-drilled railing automatically spaces balusters which speeds and simplifies installation. The Axxys™ railing system cuts 50% or more of the labor out of a standard interior stair installation and best of all, everything you need for the railing section (except posts) are in a single box. Add decorative baluster collars to take your design from sleek contemporary to smart and sophisticated. Axxys™ railing can be stained, painted or varnished to define your living space



INTERIOR STAIR RAILINGS
 Premium quality interior stair railing components and accessories in styles from classic to contemporary



1-800-667-8247



Colonial Hemlock

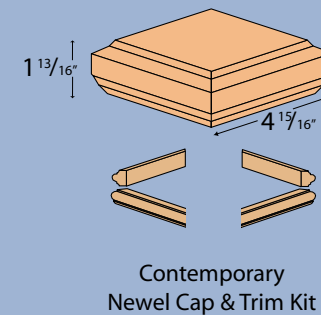
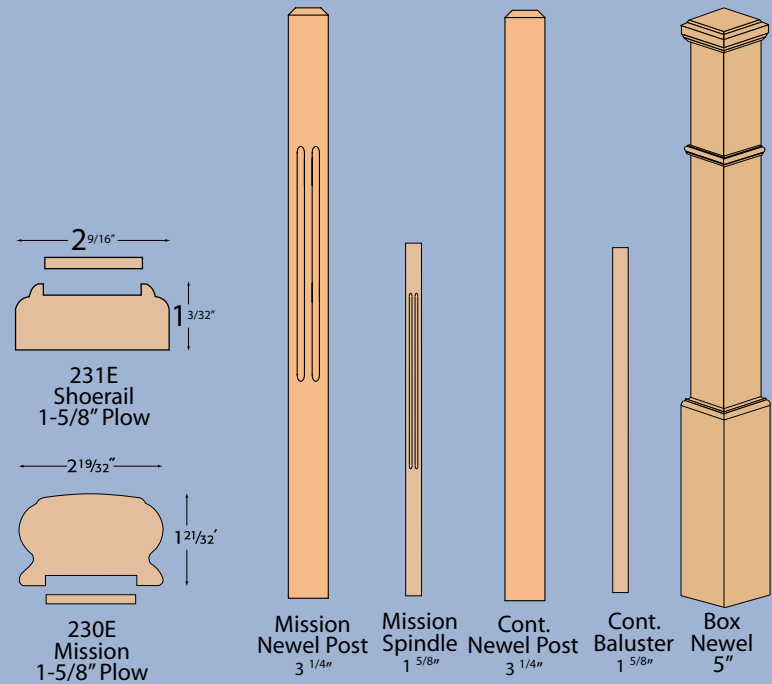
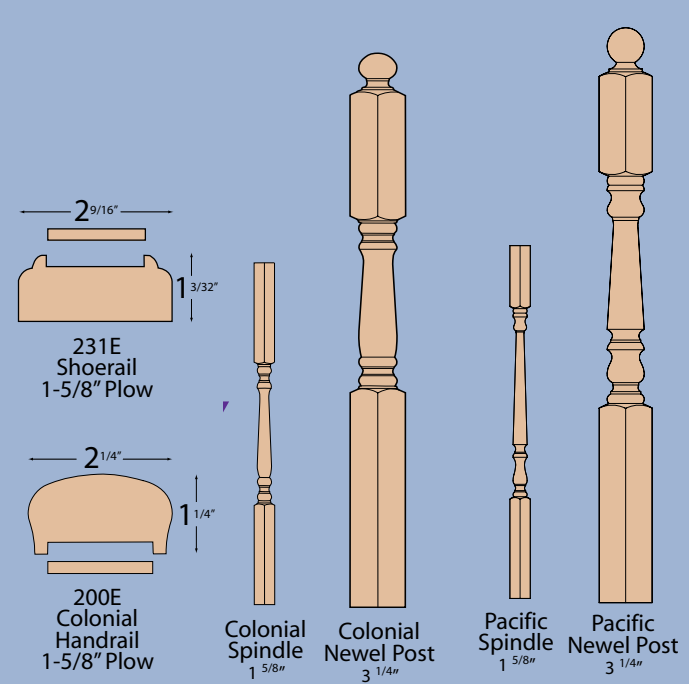
Pacific Hemlock

Mission Hemlock

Contemporary Hemlock



The Colonial series is truly a classic style for the ages, Pacific offers a sleeker, turned style, Mission is a more modern take on the craftsman style, while contemporary offers clean lines and a blank canvas. All crafted from premium, kiln dried, clear, Pacific Coast Hemlock renowned for its fine texture, straight uniform grain and outstanding ability to accept stain, paint or varnish to match virtually any wood species, flooring or decor. Known as the 'chameleon' of wood species Pacific Coast Hemlock is a single species to match all / any application.



1 SURE-TITE™ NEWEL FASTENING SYSTEM

The most secure method for mounting newel posts to finished floors.

- Uses floor joists for support
- Installs in as little as 10 minutes
- Needs no mortising or coping
- Will not loosen over time
- Exceeds stair code strength requirement

Contains: 1 1" lag bolt, 1 curved washer, 1 nut, 1 1/2" oak and hemlock tapered plugs.

HW9507000W

3 RAIL & POST FASTENER

Fastens hand rails to posts and posts to stairs

Contains: 1 lag bolt, 1 washer, oak and hemlock tapered plugs.

HW9515000W

4 RAIL-BOLT FASTENER

Fastens hand rails to posts and fittings to rails.

Contains: lag, curved washer, flanged nut, oak and tapered plugs.

HW9516000W

5 NEWEL PLATE FASTENER

Use under carpet, over concrete, over finished floors.

Contains: Heavy 3/16" plate, 13 mounting screws

HW9518000W

